

Shinko

Duct Inserted Sensors

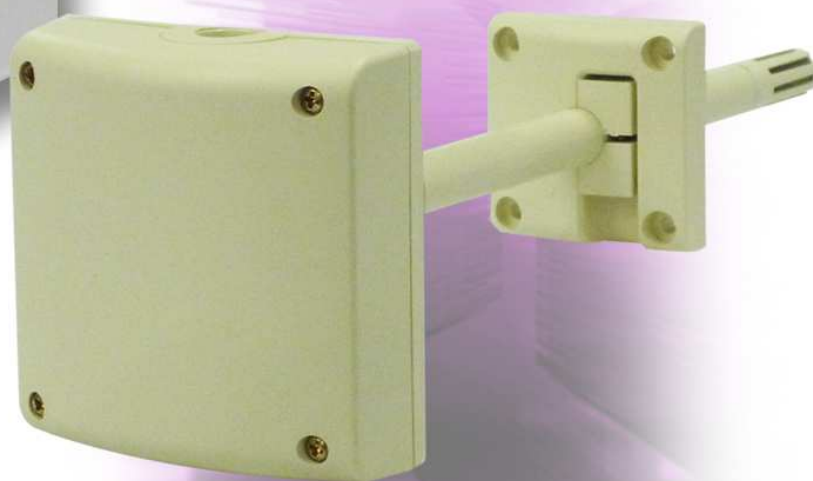
DSD

Humidity

CO2 Concentration



DSD-101-CO2-□□



DSD-200-HA

Sensor Type

Measurement Target	Measurement Range	Output	Model
Humidity	5~95 %RH	4~20 mA DC	DSD-200-HA
CO ₂ Concentration	0~2000 ppm	4~20 mA DC	DSD-101-CO2-1A
		1~5 V DC	DSD-101-CO2-1V
	0~5000 ppm	4~20 mA DC	DSD-101-CO2-2A
		1~5 V DC	DSD-101-CO2-2V

Specifications

DSD-200-HA

Output	4~20 mA DC (Linear conversion corresponding to 0 to 100 %RH) Max allowable load: 1 k Ω max.
Power Supply	24 V AC/DC \pm 20 % 50/60 Hz
Accuracy	Within \pm 5 %RH (at 23 °C)
Response Characteristics	Approx. 20 seconds (at 2 m/s wind velocity)
Dimensions	W86 x H86 x D293 mm
Mounting	Duct inserted, and fixed with the resin bracket.
Power Consumption	Approx. 1 VA (for 24 V AC) Approx. 1 W (for 24 V DC)
Operating Environment	Temp: -25~70 °C Humi: Less than 95 %RH (non-condensing) (Operating environment temperature: Up to 50 °C: Less than 95 %RH, 50 to 70 °C: 70 %RH)
Storage Environment	Temp: -25~70 °C Humi: Less than 95 %RH (non-condensing) (Operating environment temperature: Up to 50 °C: Less than 95 %RH, 50 to 70 °C: 70 %RH)
Weight	Approx. 170 g (Including resin bracket)
Accessories	Mounting screw: 4 pieces, Resin bracket: 1 piece, Packing: 1 piece, Current/Voltage conversion resistor (RES-S06-250): 1 piece, Cable gland (OA-W1608E): 1 piece, Instruction manual: 1 copy

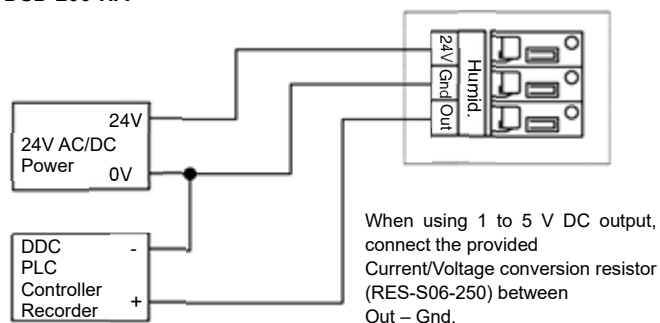
DSD-101-CO2-□□

Output	4 to 20 mA DC: Max allowable load: 500 Ω max. 1 to 5 V DC: Max allowable load: 100 k Ω min. (Must be specified.)
Power Supply	24 V DC \pm 10 %
Accuracy	\pm (30 ppm + 5 % of measured value)
Response Characteristics	Within 1 minute (at 1.5 m/s wind velocity)
Dimensions	W100 x H133 x D260 mm
Mounting	Adjustable flange DSDF-SQ80 recommended (sold separately)
Power Consumption	18 W
Operating Environment	Temp: 0~50 °C Humi: 5~95 %RH (non-condensing)
Storage Environment	Temp: -20~60 °C Humi: 5~95 %RH (non-condensing)
Environment	Approx. 400 g
Storage	Instruction manual: 1 copy

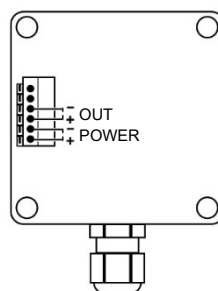
Abbreviations: Temp: Temperature, Humi: Humidity

Terminal Arrangement

DSD-200-HA



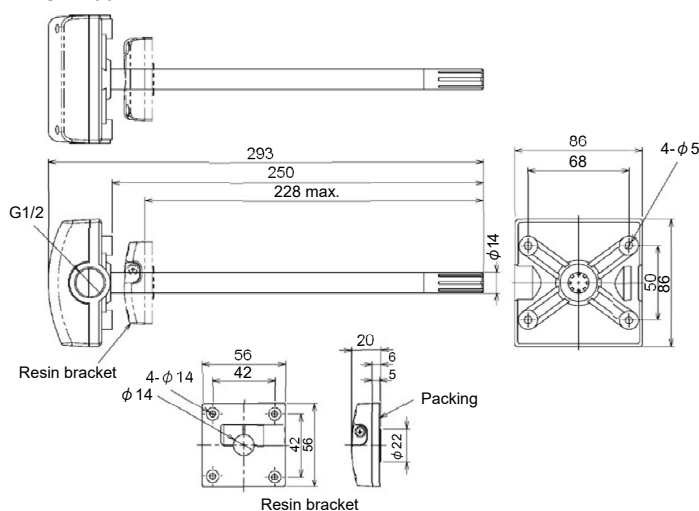
DSD-101-CO2-□□



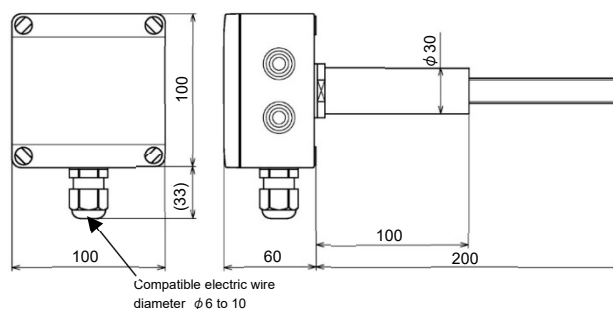
OUT: 1 to 5 V DC or 4 to 20 mA DC output (Must be specified.)
POWER: Power supply voltage 24 V DC
[Note] Do not reverse polarity.

External Dimensions (Scale: mm)

DSD-200-HA



DSD-101-CO2-□□



SHINKO TECHNOS CO., LTD. OVERSEAS DIVISION

Head Office: 2-5-1, Senbahigashi, Minoo, Osaka, 562-0035, Japan

Tel: +81-72-727-6100

Fax: +81-72-727-7006

URL: <https://shinko-technos.co.jp/e/>

E-mail: overseas@shinko-technos.co.jp